

Vertical/Horizontal Layered Test Samples

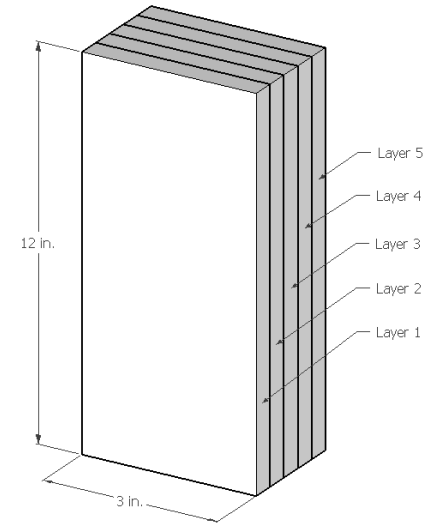
Test Request #: _____ **Sample #:** _____ **Part Number:** _____

Represents (be specific): _____
 (e.g. Cabinet Panel, Upholstery for Crew Seats, etc.)

Test Type: Vertical, 12s Vertical, 60s Horizontal, 2.5 Horizontal, 4.0

Notes:

For FAA Approvals: By checking this box, I certify that these test samples represent the “as installed” configuration. Test samples use the same material, manufacturing process, and assembly process as the repair / alteration.



- Notes:**
1. Include bonding material (e.g. tape, glue, etc.) as its own layer.
 2. Provide traceability for each layer (e.g. invoices) as well as flammability reports if available.

Layer	Description	Manufacturer	Thickness	Part #	Lot #	P.O. #	Other:
1							
2							
3							
4							
5							
6							

Need more space? Attach additional sheets as needed.

