

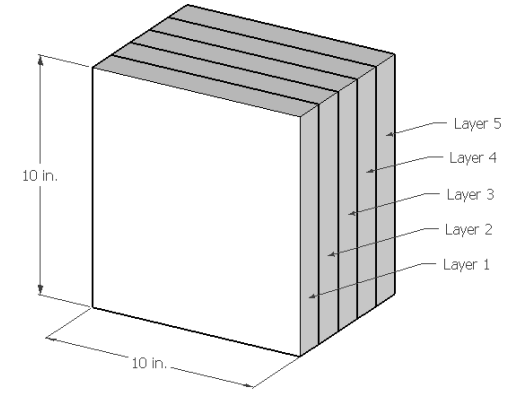
45° Layered Test Samples

Test Request #: _____ **Sample #:** _____ **Part Number:** _____

Represents (be specific): _____
 (e.g. Cargo Wall Padding, Cargo Floor Boards, etc.)

Notes:

For FAA Approvals: By checking this box, I certify that these test samples represent the “as installed” configuration. Test samples use the same material, manufacturing process, and assembly process as the repair / alteration.



- Notes:**
1. Include bonding material (e.g. tape, glue, etc.) as its own layer.
 2. Provide traceability for each layer (e.g. invoices) as well as flammability reports if available.

Layer	Description	Manufacturer	Thickness	Part #	Lot #	P.O. #	Other:
1							
2							
3							
4							
5							
6							
7							
8							

Need more space? Attach additional sheets as needed.

45° Layered Test Samples

Layer	Description	Manufacturer	Thickness	Part #	Lot #	P.O. #	Other: