

Seat Cushion (Fireblock) Sample

Instructions:

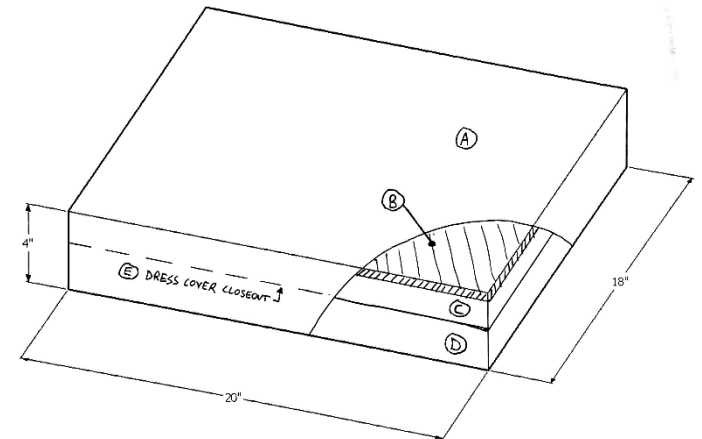
- 1) Sketch the build-up of the test sample (both back and bottom). Label each material (A, B, C, etc.), then fill out the corresponding table to describe each material.
- 2) Include close-out method either in the notes or on the sketch.
- 3) Include bonding material (e.g. tape, glue, etc.) as its own component. It may not be practical to label some of these items on the sketch.
- 4) Provide traceability for each layer (e.g. invoices) as well as flammability reports if available.

Need guidance on building your test samples?

Check out our guide titled "Building Seat Cushion Samples" at www.aeroblazelab.com/resources

Example:

Item	Description	Manufacturer	Thickness / Dimensions	Part #	Lot #	P.O. #	Other:
A	Leather, Gray	Perrone	nominal	MON-5498	13251246	5647-09	
B	Batting, Guardian	Skandia	0.25"	-	1146-GB	5611-12	Fully encloses foam
C	DAX 20 Foam	Skandia	1.75"	DAX 20	10245-D20	5720-04	Identical to layer C
D	DAX 20 Foam	Skandia	2.0"	DAX 20	10245-D20	5720-13	Identical to layer D
E	Hook & Loop Closure	Aplix	N/A	A840R0050L61S A840R0050H61S	914456-4 931477-4	5684-03	
F	3M Adhesive Spray	3M	Nominal	76	-	4897-23	Bonds batting to foam
G	3M Adhesive Glue	3M	Nominal	1357	-	5114-11	Bonds all other components



Seat Cushion (Fireblock) Sample

Test Request #: _____ Sample #: _____

Seat Type: _____ Component Represented: _____
(e.g. single passenger, divan, crew seat, etc.) (e.g. seat back, seat bottom, headrest, etc.)

Part Number(s): _____

New or Existing on Aircraft: New Existing

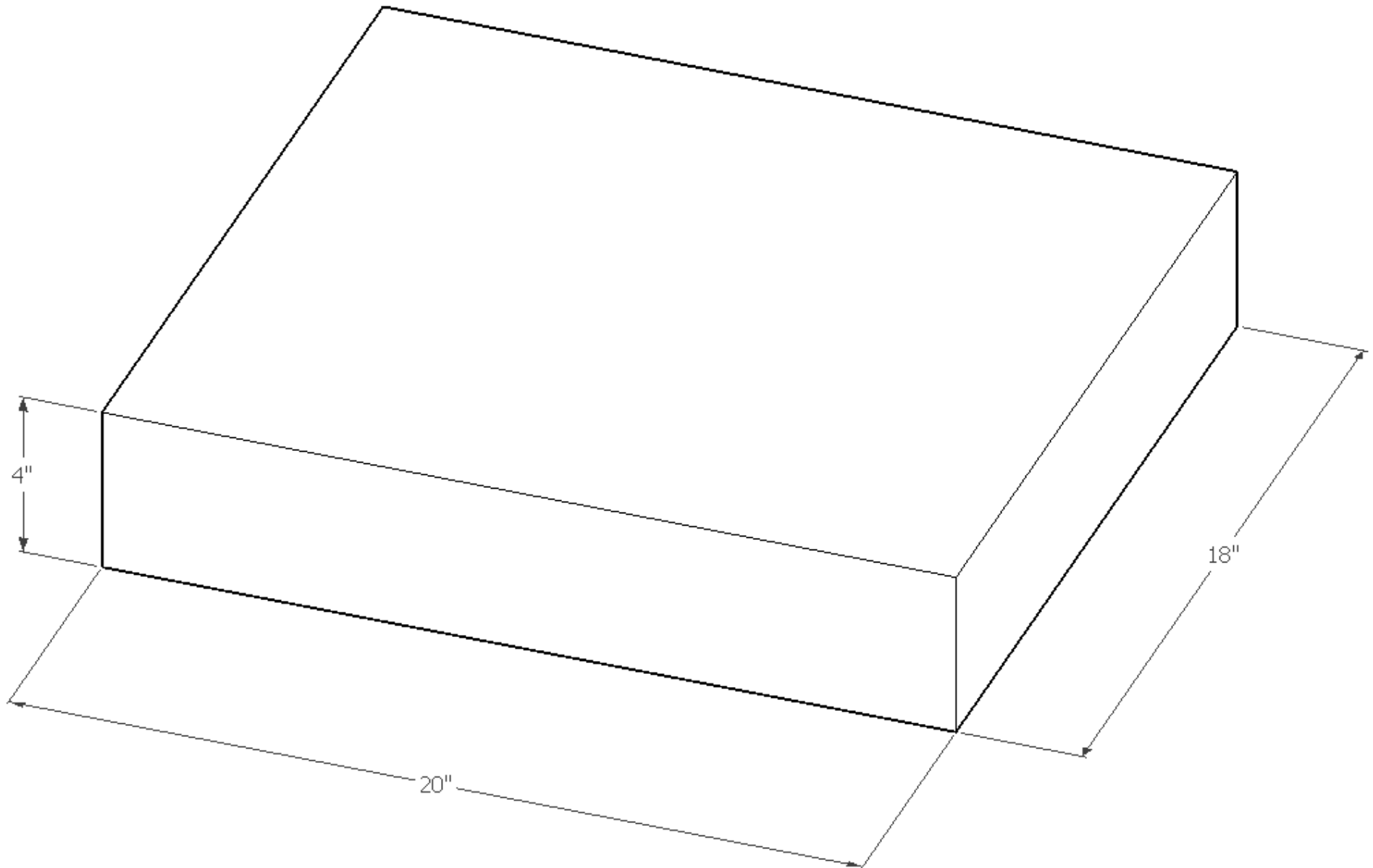
Seat Approval Type: Type Certificate TSO C-39 (9g Seat) TSO C-127A (16g Seat)

Other Information (e.g. install location, serial number, etc.): _____

For FAA Approvals: By checking this box, I certify that these test samples represent the "as installed" configuration. Test samples use the same material, manufacturing process, and assembly process as the repair / alteration.

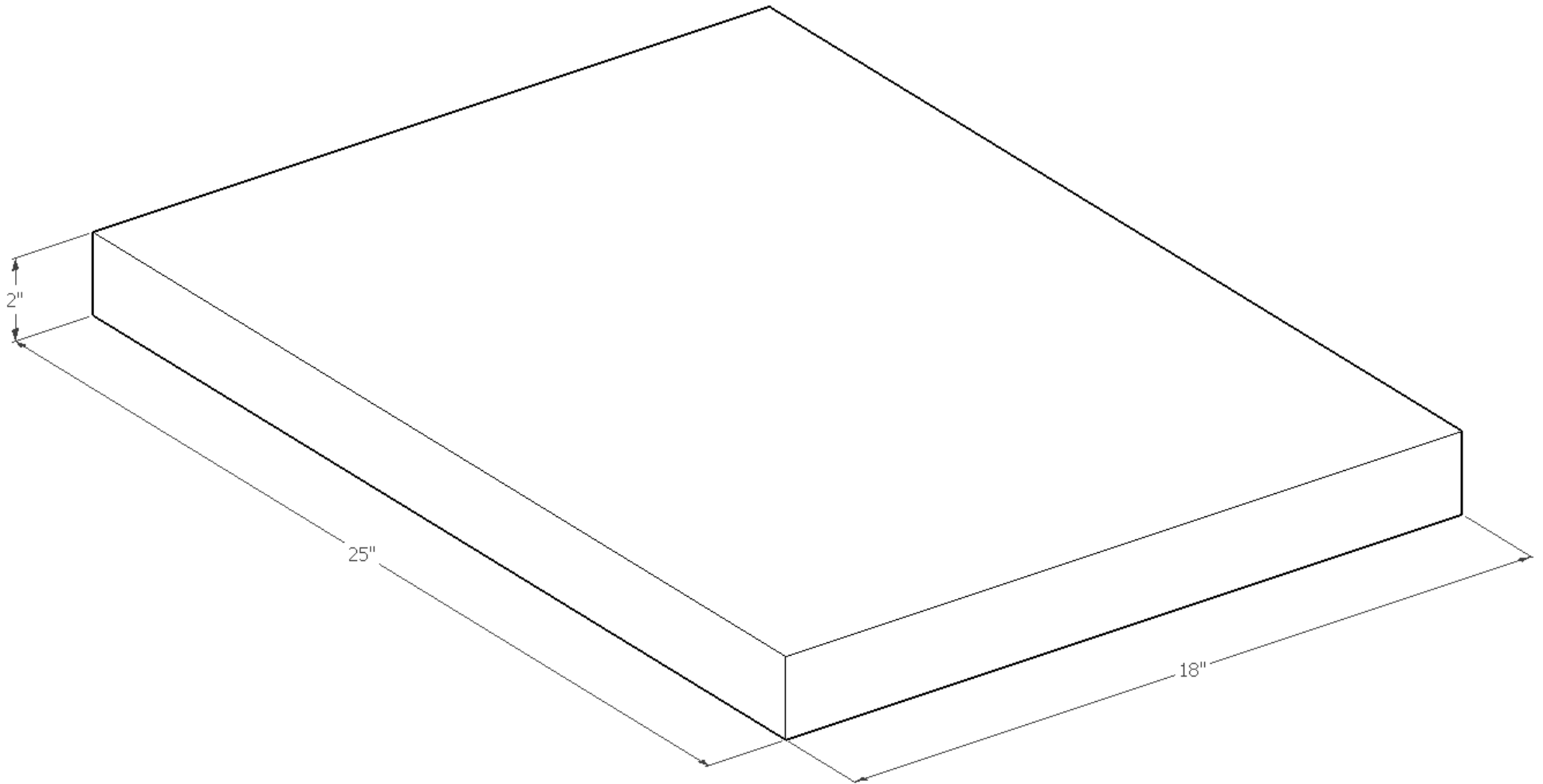
Seat Cushion (Fireblock) Sample

Sketch of Test Sample, Bottom Cushion:



Seat Cushion (Fireblock) Sample

Sketch of Test Sample, Back Cushion:



Seat Cushion (Fireblock) Sample

Material List:

Item	Description	Manufacturer	Thickness / Dimensions	Part #	Lot #	P.O. #	Other: _____
A							
B							
C							
D							
E							
F							
G							
H							
I							
J							

Attach additional sheets as needed.

Notes:
